

Vacuum efficiency valves ISV

FESTO



Vacuum efficiency valves ISV

Features

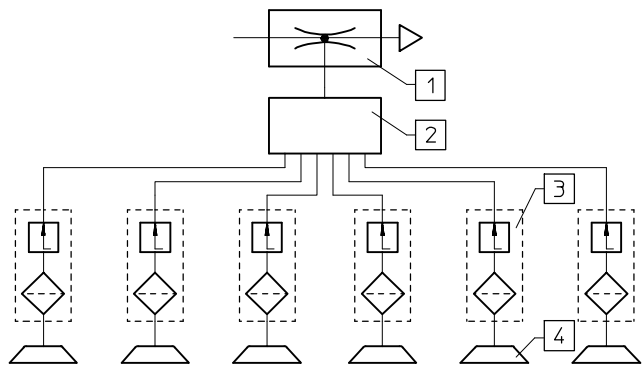
Areas of application

- For parallel arrangement of several suction cups
 - To prevent dissipation of the vacuum if one or several suction cups do not make full contact
- Gripping of randomly placed products
- Saves compressed air and energy
 - Retention is only successful if 100% contact is achieved
- Maintains vacuum

Function diagram

These valves are suitable for applications requiring several vacuum suction cups and for the maintenance of vacuum in the event that one suction cup should fail to make contact.

- 1 Vacuum generator
- 2 Distributor
- 3 Vacuum efficiency valve
- 4 Suction cup



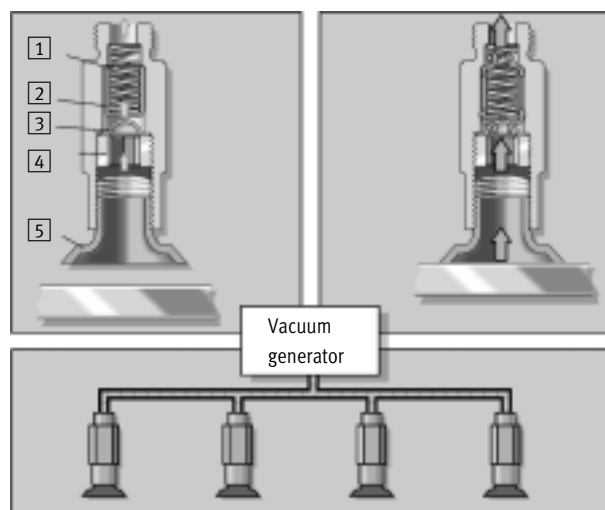
Vacuum efficiency valve function

The ISV valve is fitted between the vacuum generator and the suction cup.

If, during vacuum generation, a suction cup is uncovered, or only partly covered, the ISV automatically stops the influx of air.

When the suction cup fits tightly against the surface, a vacuum is regenerated. Removal of the object from the suction cup causes the ISV valve to close immediately.

1. When the suction cup is open to atmosphere, the float is drawn back against the housing. In this position, flow is only possible through the small hole in the end of the float.
2. When an object is in contact with the suction cup, flow is reduced and the spring forces the float forward. The seal is thus broken and full vacuum is generated within the suction cup.

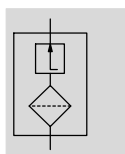


- 1 Spring
- 2 Float
- 3 Filter
- 4 Retaining screw
- 5 Suction cup

Vacuum efficiency valves ISV

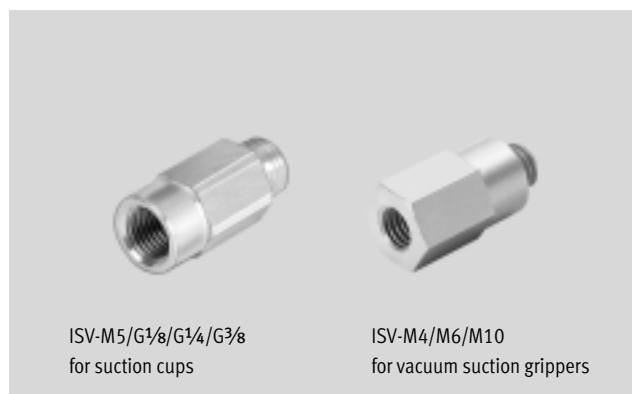
Technical data

Function



- - Temperature range
-10 ... +60 °C

- - Operating pressure
-0.95 ... 0 bar



ISV-M5/G $\frac{1}{8}$ /G $\frac{1}{4}$ /G $\frac{3}{8}$
for suction cups

ISV-M4/M6/M10
for vacuum suction grippers

General technical data							
Pneumatic connection 1, 2	For suction cups				For vacuum suction grippers		
	M5	G $\frac{1}{8}$	G $\frac{1}{4}$	G $\frac{3}{8}$	M4	M6	M10
Mounting position	Any						
Type of mounting	Screw-in						
Ejector pulse possibility [bar]	≤ 8						
Required suction rate at -0.5 bar [l/min]	1	2	1.6	1.5	1	2	2

Operating and environmental conditions	
Operating pressure [bar]	-0.95 ... 0
Operating medium	Atmospheric air based on ISO 8573-1:2010 [7:-:-]
Ambient temperature [°C]	-10 ... +60
Corrosion resistance class CRC ¹⁾	2

1) Corrosion resistance class CRC 2 to Festo standard FN 940070
Moderate corrosion stress. Indoor applications in which condensation may occur. External visible parts with primarily decorative requirements for the surface and which are in direct contact with the ambient atmosphere typical for industrial applications.

Weights [g]							
Pneumatic connection 1, 2	For suction cups				For vacuum suction grippers		
	M5	G $\frac{1}{8}$	G $\frac{1}{4}$	G $\frac{3}{8}$	M4	M6	M10
Vacuum efficiency valve	4	9	16	33	1.5	14	18

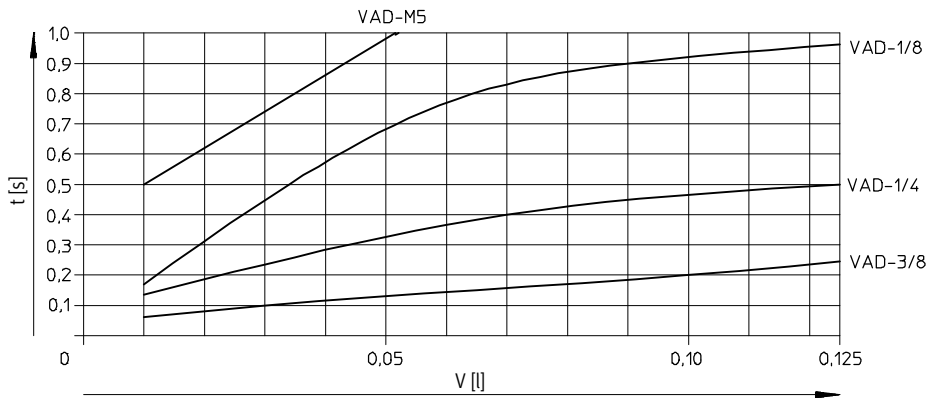
Materials							
Pneumatic connection 1, 2	For suction cups				For vacuum suction grippers		
	M5	G $\frac{1}{8}$	G $\frac{1}{4}$	G $\frac{3}{8}$	M4	M6	M10
Housing	Wrought aluminium alloy				Wrought aluminium alloy		
Filter	Sintered bronze	Wrought aluminium alloy, stainless steel mesh			Sintered bronze		
Spring	-	High-alloy stainless steel			-	High-alloy stainless steel	
Hollow bolt	-	Wrought aluminium alloy			-		
Float	-	POM			-	POM	

Vacuum efficiency valves ISV

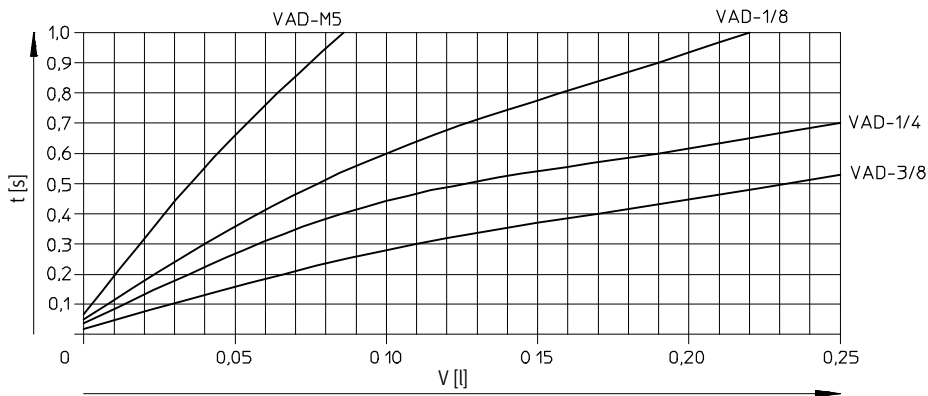
Technical data

Evacuation time t as a function of the volume to be evacuated V with various ejectors

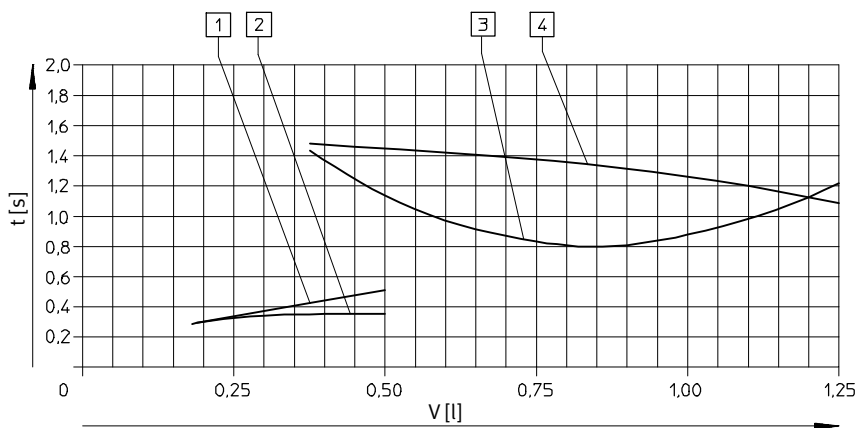
ISV-M5



ISV-1/8/ISV-1/4



ISV-3/8



- 1 VAD-...-3/8 with suction cup VAS-125
- 2 VAD-ME-...-3/8 with suction cup VAS-125
- 3 VAD-...-3/8 with suction cup VASB-125
- 4 VAD-ME-...-3/8 with suction cup VASB-125

- - Note
Evacuation time is the time required to attain 90% maximum possible vacuum.

Vacuum efficiency valves ISV

Technical data

FESTO

Conditions for operation of the vacuum efficiency valve ISV

- The number of vacuum suction cups that can be attached depends upon the suction capacity of the ejector.
- A minimum switching flow rate is required to ensure the function of each ISV vacuum efficiency valve connected in parallel to an ejector.
- The number of cups which can be reliably operated can be estimated on the basis of the ratio of ejector suction power and the minimum switching flow rate of the ISV vacuum efficiency valve.

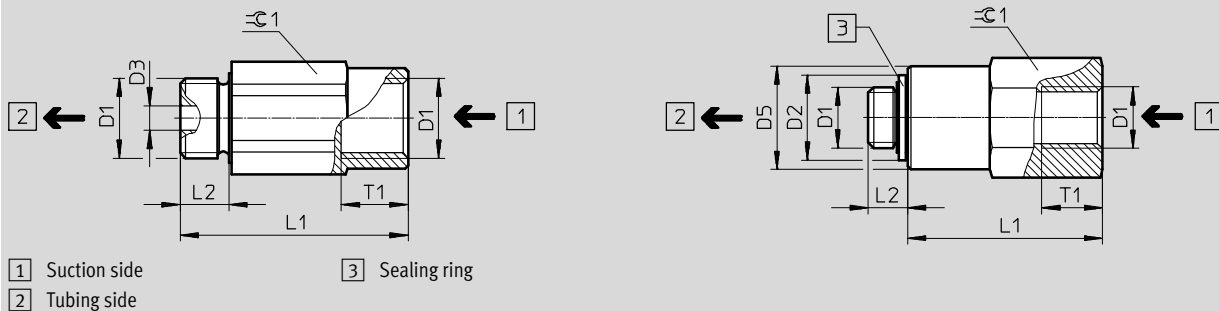
Max. no. of sealed suction cups as a function of the vacuum generator used and the attainable vacuum level

Vacuum generator	Max. number of suction cups at P _U [bar]											
	ISV-M5			ISV-1/8			ISV-1/4			ISV-3/8		
	-0.5	-0.6	-0.7	-0.5	-0.6	-0.7	-0.5	-0.6	-0.7	-0.5	-0.6	-0.7
VAD-M5	2	1	-	1	1	-	1	-	-	-	-	-
VAD-1/8	4	2	1	2	1	-	2	1	-	-	-	-
VAD-1/4	8	6	3	4	3	1	4	3	1	-	-	-
VAD-3/8	8	8	7	7	6	3	7	6	3	-	2	1
VADM/VADMI-45	2	1	-	1	1	-	1	-	-	-	-	-
VADM/VADMI-70	4	2	1	2	1	-	2	1	-	-	-	-
VADM/VADMI-95	8	6	3	4	3	1	4	2	1	-	-	-
VADM/VADMI-140	8	8	7	7	6	3	7	6	3	3	2	1
VADM/VADMI-200	16	16	14	14	12	6	14	12	6	6	4	2
VADM/VADMI-300	32	32	28	28	24	12	28	14	12	12	8	4

Dimensions

ISV-M5/G1/8/G1/4/G3/8 for suction cups

ISV-M4/M6/M10 for vacuum suction grippers



Type	D1	D2 Ø	D3 Ø	D5 Ø	L1	L2	T1	±C 1
ISV-M5	M5	-	2	-	15	4.3	5.5	8
ISV-1/8	G1/8	-	4	-	36	6.5	11	13
ISV-1/4	G1/4	-	4	-	37.5	8	11	17
ISV-3/8	G3/8	-	4	-	42	9	13	22
ISV-M4	M4	7.8	-	7	10.7	3.8	5	7
ISV-M6	M6	8.4	-	14	28.3	5	5	14
ISV-M10	M10	14	-	17	32	6.5	10	17

Ordering data

Pneumatic connection 1, 2	For suction cups		Pneumatic connection 1, 2	For vacuum suction grippers	
	Part No.	Type		Part No.	Type
M5	151217	ISV-M5	M4	545996	ISV-M4
G1/8	33969	ISV-1/8	M6	545997	ISV-M6
G1/4	33970	ISV-1/4	M10	545998	ISV-M10
G3/8	33971	ISV-3/8			