

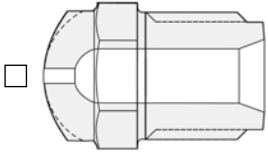
CUSTOM NOZZLE TIP FORM

SPECIFY

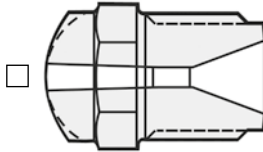
1. External Style of Nozzle Tip:

Standard Flat Face*

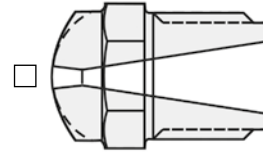
2. Internal Design of Nozzle Tip:



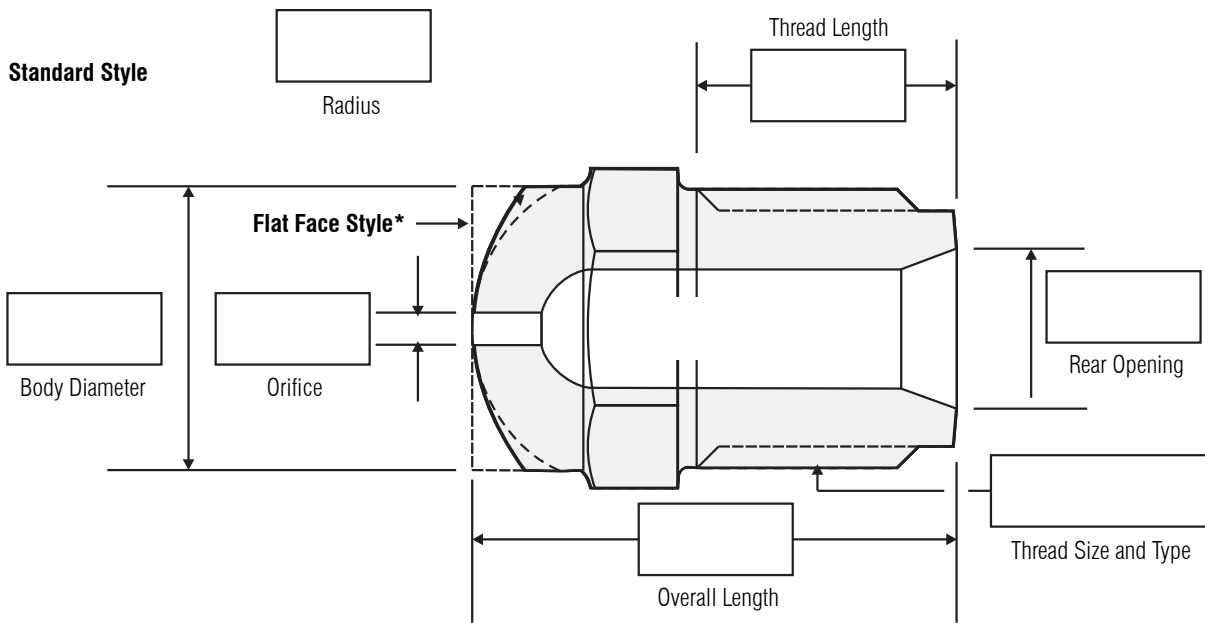
General Purpose Internal Design



Nylon Internal Design



Full Taper Internal Design



Date: _____ Quantity: _____ Phone: _____

Name _____ Title _____

Company _____ Email _____

Address _____

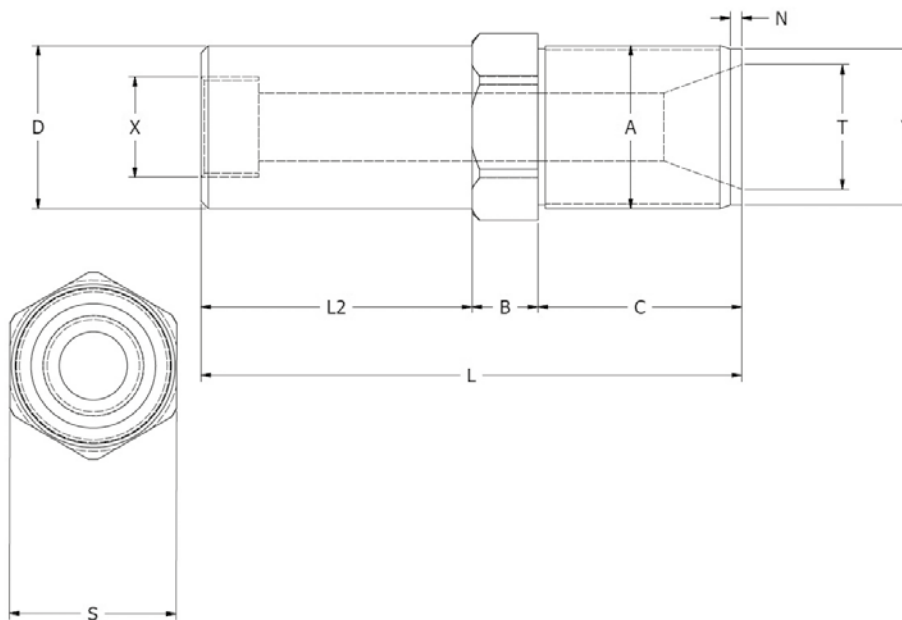
City _____ Zip _____

Country _____

REMOVABLE NOZZLE TIPS

ORDER FORM

NOZZLE BODY



L	L2	B	C	D	X	T	Y	A	N	S

Metric only (mm)

Machine/Model _____

Company _____

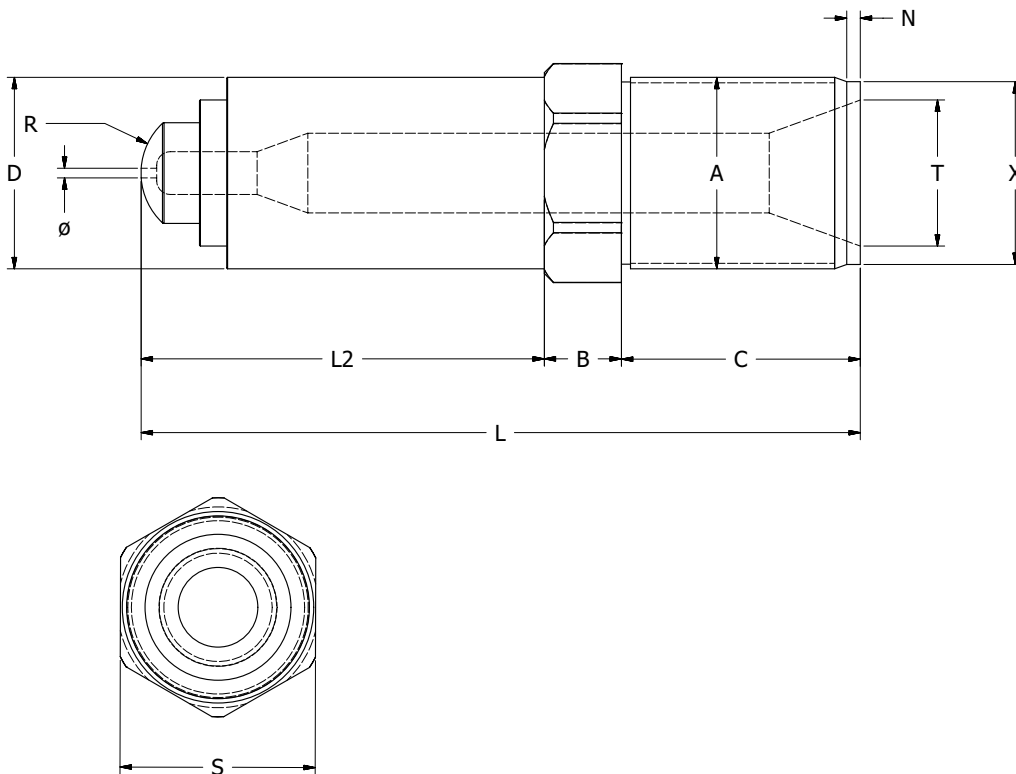
Contact _____

Telephone _____

Contact e-mail _____

ORDER FORM

SOLID NOZZLE



L	L2	B	C	D	X	R	Ø	T	A	N	S

Metric only (mm)

Machine/Model _____

Company _____

Contact _____

Telephone _____

Contact e-mail _____