

KERFOLG 90° SHOULDERING MILLS - SCREW-ON SHANK

Wall

ITEM: B4F33

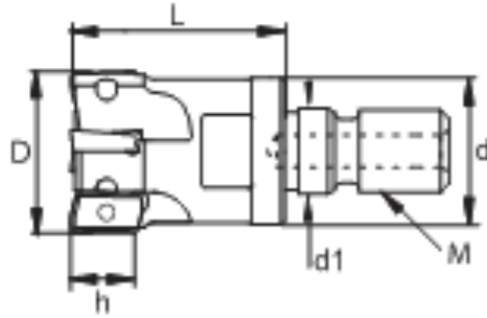
Multifunctional end mills for square shouldering

Coupling type Metric thread

Applicable inserts APKT 1003

Application Square shoulder milling

Ø16 - 32 mm


SCREW-ON SHANK

B4F33	Tech. Code	Z	D mm	d1 mm	d mm	M	L mm	h mm	Air hole	Insert	Insert screw
Screw-On	B4F3316Z2	2	16	8.5	13	M8	25	10	With	APKT 1003	BRICA001
	B4F3320Z3	3	20	10.5	18	M10	30				
	B4F3325Z4	4	25	12.5	21	M12	35				
	B4F3332Z5	5	32	17	29	M16	43				

KERFOLG 90° HELIX SHOULDERING END MILLS

Helix

ITEM: B4F35

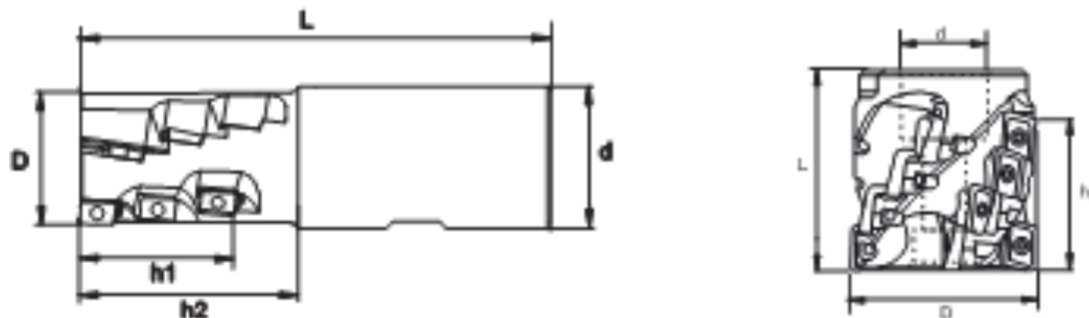
General multifunctional shouldering mills

Coupling type Weldon Shank - Bore

Insert type APKT 1003...

Application Square shoulder milling

Ø20 - 63 mm


WELDON SHANKS

B4F35	Tech. Code	Z	D mm	d mm	L mm	h1 mm	h2 mm	K	Air hole	Insert	Insert screw
Weldon	B4F3525K2Z8	8	25	25	105	37	49	2	With	APKT1003	BRICA001
	B4F3532K2Z12	10	32	32	115	46	55				
	B4F3532K3Z15	15						3			
	B4F3540K2Z14	18	40	130	55	70					

SHELL MILLS

B4F36	Tech. Code	Z	D mm	d mm	L mm	h1 mm	h2 mm	K	Air hole	Insert	Insert screw
Bore	B4F3640K3Z12	12	40	16	50	37	-	3	With	APKT1003	BRICA001
	B4F3650K3Z15	15	50	22	60	46					
	B4F3663K4Z20	20	63	27				4			

SPARE PARTS

Tech. Code	Version	Description	Denomination
BRICA001	All diameters	Clamping insert screw	BRICA001
BRICA002		Wrench	BRICA002